

PRODUCT INFORMATION PACKET

Model No: 5KH32EN124
Catalog No: H244
1/6,1725,TEFC,56C,1/60/115
Totally Enclosed Fan Cooled (TEFC)



Regal and Marathon are trademarks of Regal Beloit Corporation or one of its affiliated companies.
©2018 Regal Beloit Corporation, All Rights Reserved. MC017097E



Nameplate Specifications

Output HP	1/6 Hp	Output KW	0.13 kW
Frequency	60 Hz	Voltage	115 V
Current	4 A	Speed	1725 rpm
Service Factor	1	Phase	1
Efficiency	52.5 %	Duty	Continuous
Insulation Class	B	KVA Code	T
Frame	56C	Enclosure	Totally Enclosed Fan Cooled
Overload Protector	N/R	Ambient Temperature	40 °C
Drive End Bearing Size	6203	Opp Drive End Bearing Size	6203
UL	Recognized	CSA	Yes
CE	N		

Technical Specifications

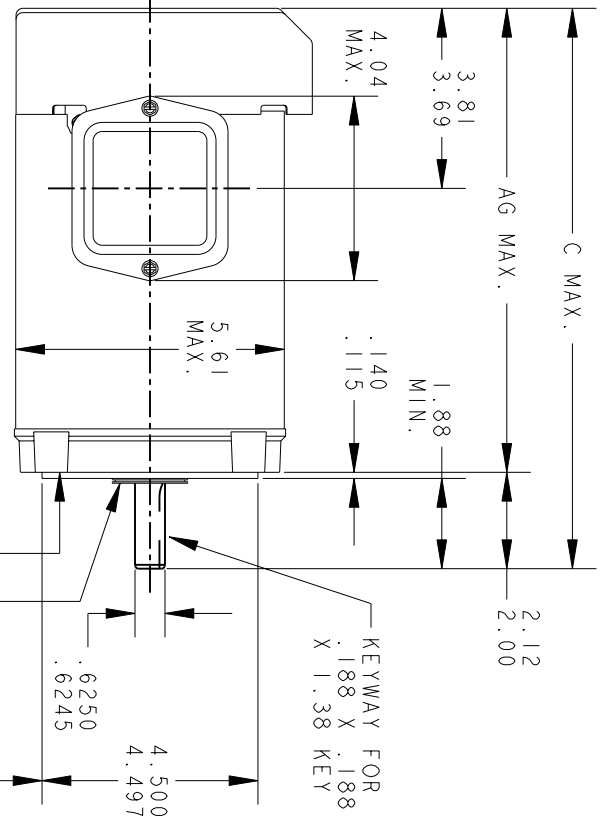
Electrical Type	Split Phase	Starting Method	SM
Poles	4	Rotation	Counterclockwise/Clockwise
Mounting	Round	Motor Orientation	ANY
Drive End Bearing	BALL	Opp Drive End Bearing	BALL
Frame Material	Rolled Steel	Overall Length	10.3 in
Frame Length	5.16 in	Shaft Diameter	0.63 in
Shaft Extension	1.88 in		
Outline Drawing	52A102407P1	Connection Diagram	52A105377BA

This is an uncontrolled document once printed or downloaded and is subject to change without notice. Date Created: 10/08/2018

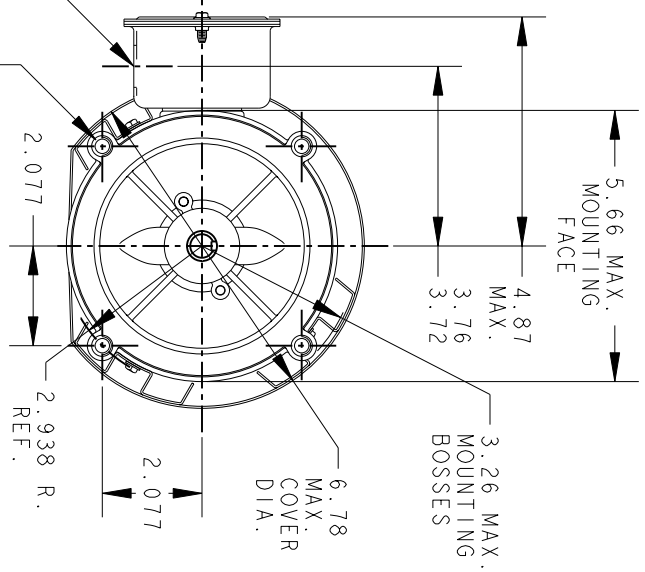
THIRD ANGLE PROJECTION



REV.	DESCRIPTION	DATE	APPROVED
3	REVISED AND REDRAWN	11/09/90	BLJ
4	MADE CHG AS PER IS05-1876	08/09/05	PRAVEEN.K
5	CHG TO RBC FORMAT PER IS05-1777	01/04/06	PRAVEEN.K



FACE RUNOUT (WITH INDICATOR MOUNTED STATIONARY RELATIVE TO SHAFT) MUST NOT EXCEED .004 T.I.R.
 WATER SLINGER (WHEN SPECIFIED)
 ECCENTRICITY OF THIS SURFACE (WITH INDICATOR MOUNTED STATIONARY RELATIVE TO SHAFT) MUST NOT EXCEED .004 T.I.R.



.375-16 UNC-2B (4 HOLES)
 .82 MIN. FULL THREAD. THESE HOLES FIT A GAGE HAVING A RABBIT 4.5005 DIA. AND 4 PINS .2917 DIA. LOCATED ON THE BASIC HOLE POSITIONS.

P	TYPE	GE SIZE	NEMA FR	C	AG
6	K	38	56C	12.36	10.28
5	K	37	56C	11.76	9.68
4	K	36	56C	11.36	9.28
3	K	35	56C	10.93	8.85
2	K	33	56C	10.55	8.47
1	K	32	56C	10.30	8.22

SIGNATURES		DATE
MODEL	H. OSBORNE	09/06/77
DETAIL		
CHECKED		
ENGRG		
MFG		
APPLIED PRACTICES	QUALITY	
DIMENSIONS ARE IN INCHES	ISSUED	B.L.J. 11/09/90
MATERIAL	SOLID MODEL: 52A102407	



REGAL-BELOTT CORPORATION

OUTLINE

TITLE
 GENERAL PURPOSE MOTOR - FORM N - TOTALLY ENCLOSED
 OUTBOARD FAN - R2 END MOUNT - BALL OR SLEEVE BEARING

52A102407

REV 5

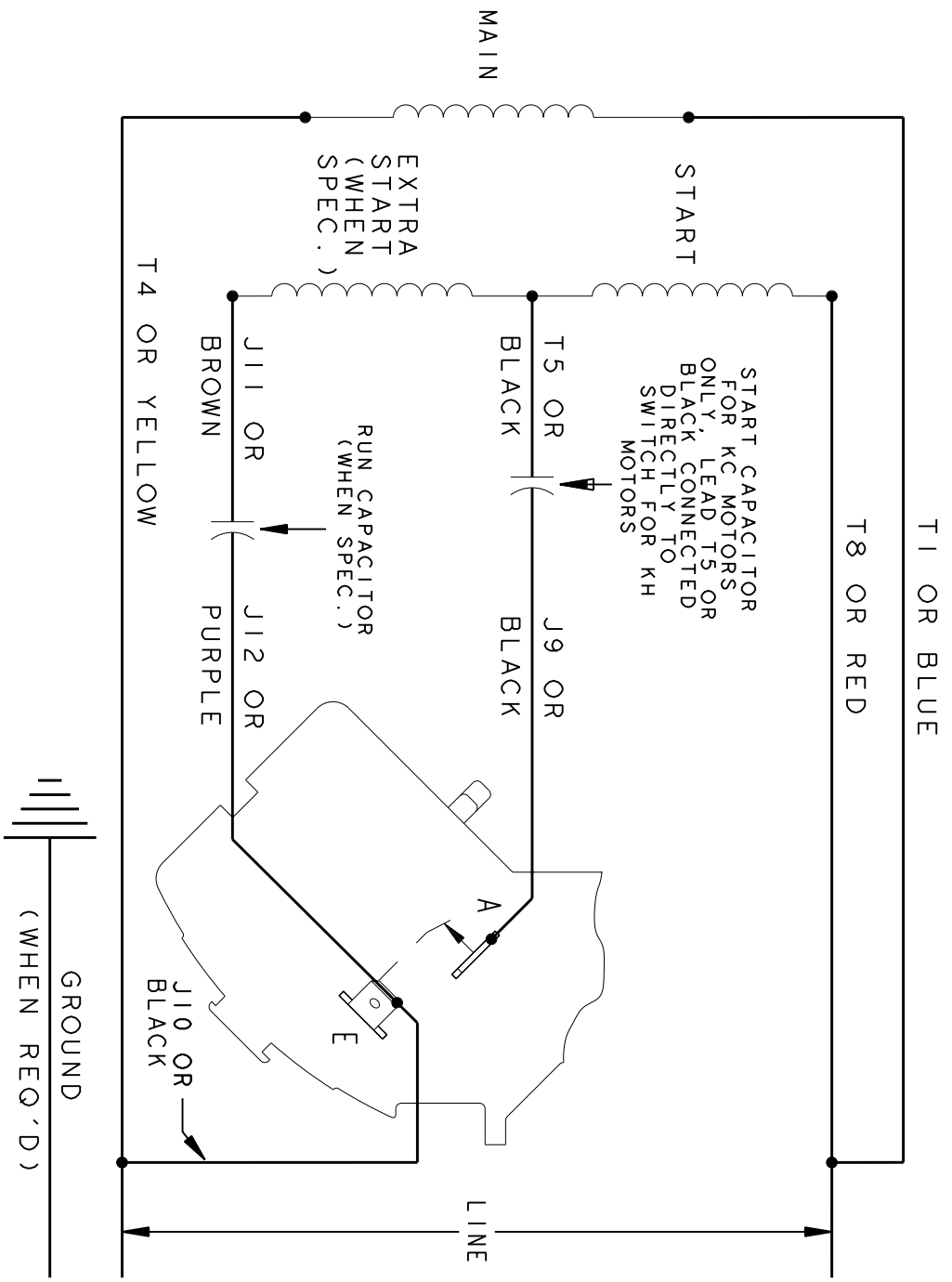
SCALE: 0.250 REF. No.: SHEET 1 of 1



REV.	DESCRIPTION	DATE	APPROVED
6	UPDATED FORMAT	11/11/05	MAM

REVISIONS

CCW/CW ROTATION - SINGLE VOLTAGE
TYPE KC, KCR OR KH



NOTE #1 - TO REVERSE ROTATION INTERCHANGE BLUE (T1) AND YELLOW (T4) LEADS.
NOTE #2 - WHEN MORE THAN ONE CAPACITOR IS USED CONNECT IN PARALLEL.

REF. DIAG. - 113A328		SWITCH (C) - 115D958AA	
CONNECTION LABEL - 52X332919			
REGAL-BELOLT CORPORATION			
CONNECTION DIAGRAM			
FME: 30 FRAME SWITCH REDESIGN			
MODEL	M.D. PAPER	DATE	
DETAIL			
CHECKED			
ENGRG			
MFG			
FOR ADDITIONAL INFO REFER TO:			
APPLIED PRACTICES	QUALITY		
DIMENSIONS ARE IN INCHES	ISSUED	M.D.P.	
MATERIAL	SOLID MODEL: 52A105377BA	01/20/99	
TITLE		SCALE: 1.000	REF. No.:
SIZE DRAWING		A	
SHEET 1 of 1			